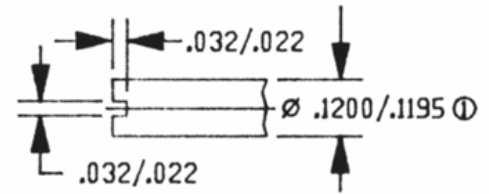
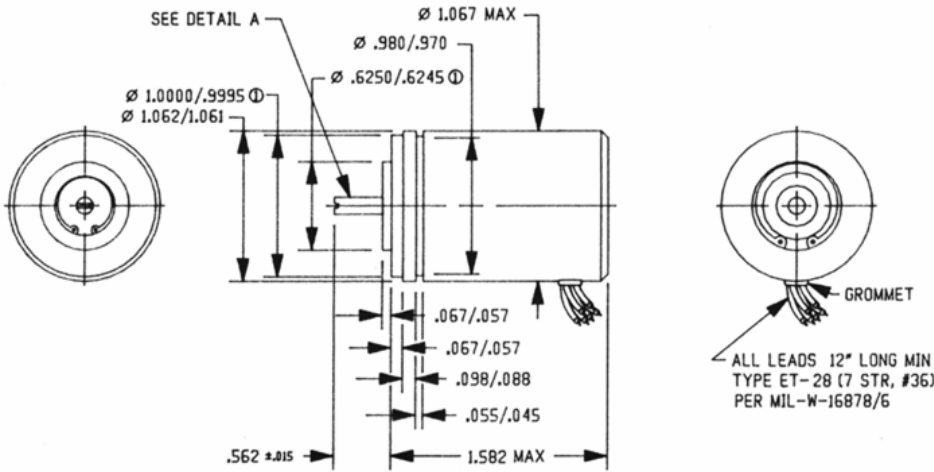
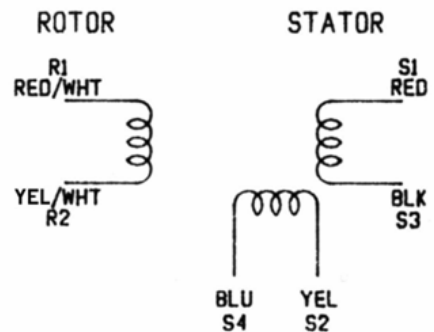


SYNCHRO-BRUSHLESS RESOLVER

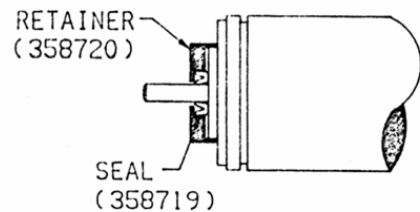
MOOG CLIFTON PRECISION MODEL No.11-BHW-48F/J040
RESEARCH CONCEPTS, INC MODEL No. Z#RSLVR11_2-1B



DETAIL A
SCHEMATIC



SHAFT SEALED AS SHOWN:



11-BHW-48F/J040 (includes retainer & seal)

ROTOR AS PRIMARY	
Input Voltage	4.4 V. 2500 Hz
Input Current	0.012 AMP
Input Power	0.031 WATT
Impedance Z_{ro}	216 + j294
D.C. Resistance	18.3 OHMS
Output Voltage	2.2 VOLTS ±10%
Transformation Ratio	0.05 ±10%
Phase Shift	0.92°
Accuracy	± 3' MAX
Null Voltage Max.	0.010 VOLT
STATOR AS PRIMARY	
Impedance Z_{so} at 90°	93 + j163
D.C. Resistance	6.5 OHMS

Normal Characteristics	
Accuracy	± 0° 3' MAX
Operating Temp.	-55°C to +125°C
Weight Max.	4.5 oz.
Housing Material	Stainless Steel
HIPOT	
Windings to Ground	550 Volts, 60 Hz
Between Windings	250 Volts, 60 Hz

Available at:
Research Concepts, Inc.

Phone: (913) 422-0210 Fax: (913) 422-0211
sales@researchconcepts.com
www.researchconcepts.com

We also stock the Berg SQ-15 and SQ-11 resolver clamps.
RCI part number Z-RSLVR-SQ15 and Z-RSLVR-SQ11.

RCI part number FP-RSLVR11_2-1B includes a rubber "boot" sealing kit and connectors.