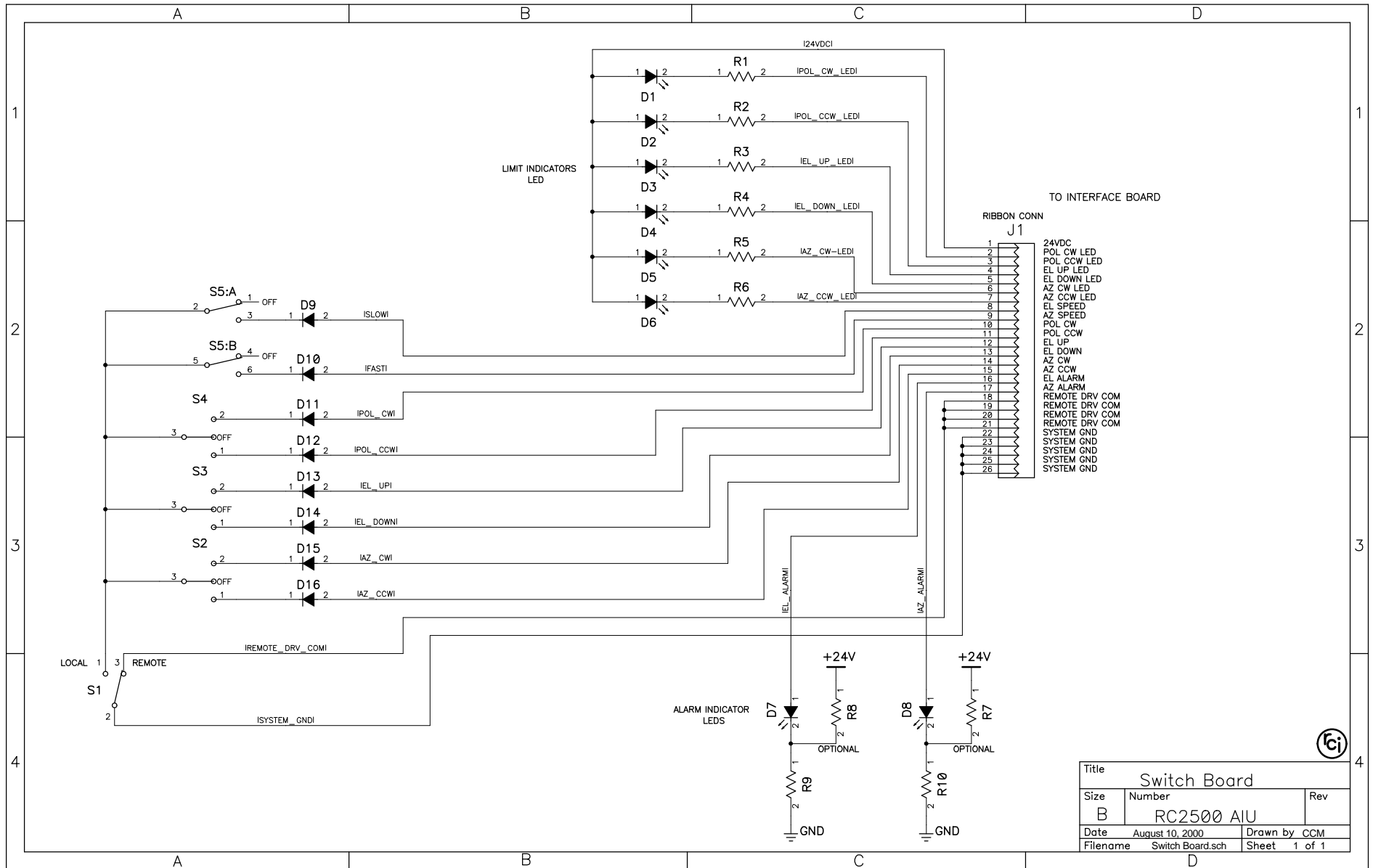
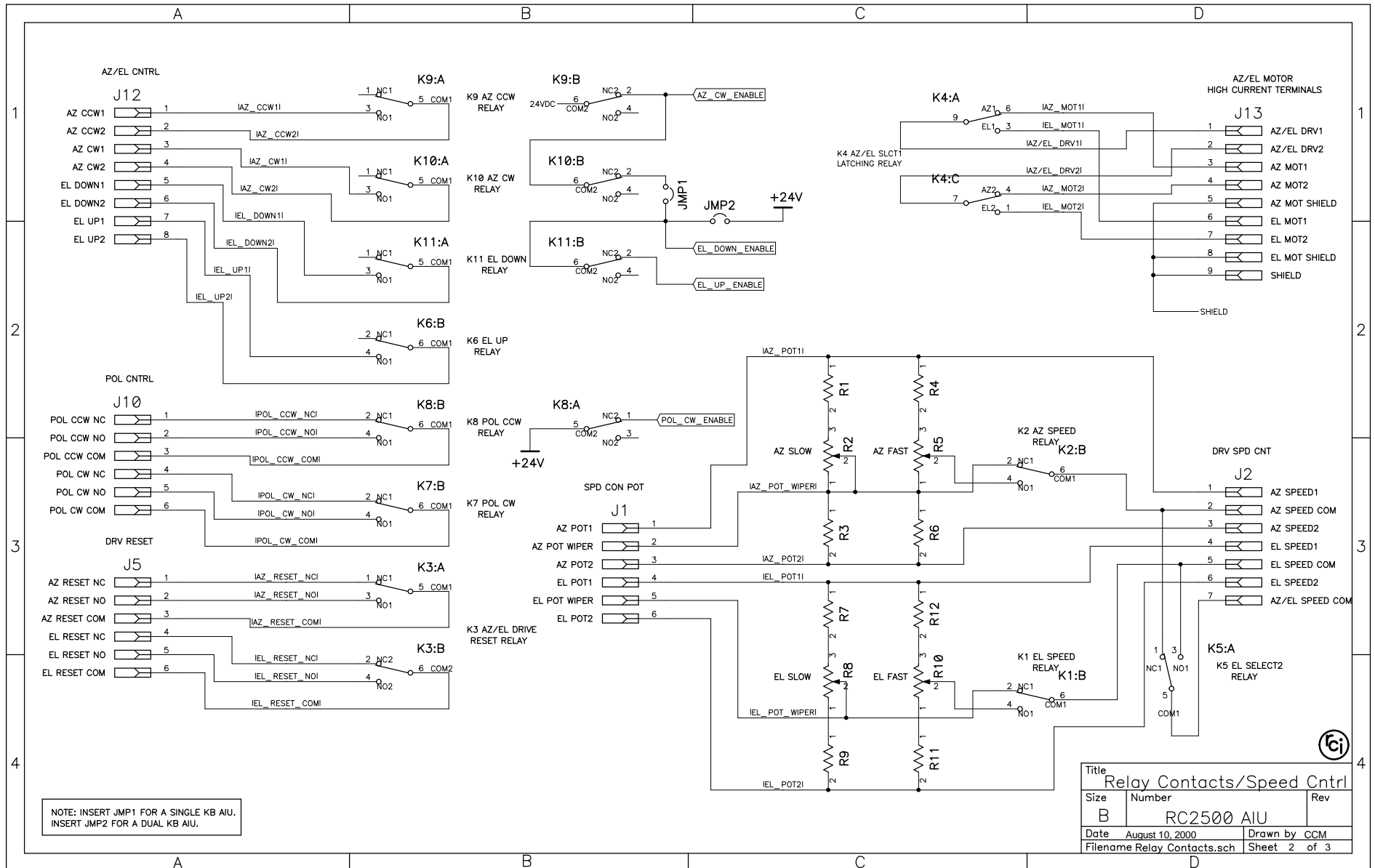


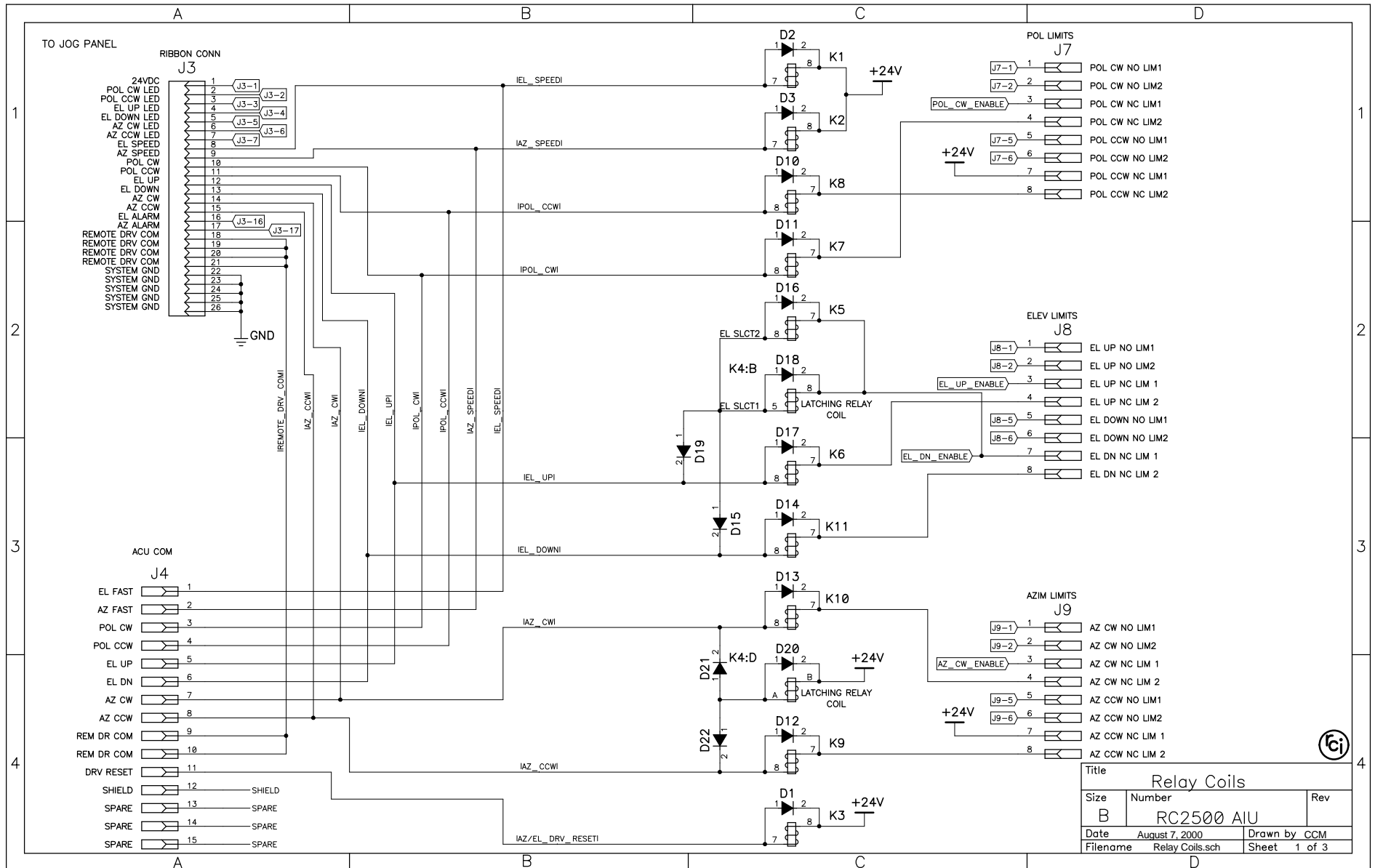
Title		
Drive Alarm & Limits		
Size	Number	Rev
B	RC2500 AIU	
Date	August 10, 2000	Drawn by CCM
Filename	Alarm&Limits.sch	Sheet 3 of 3



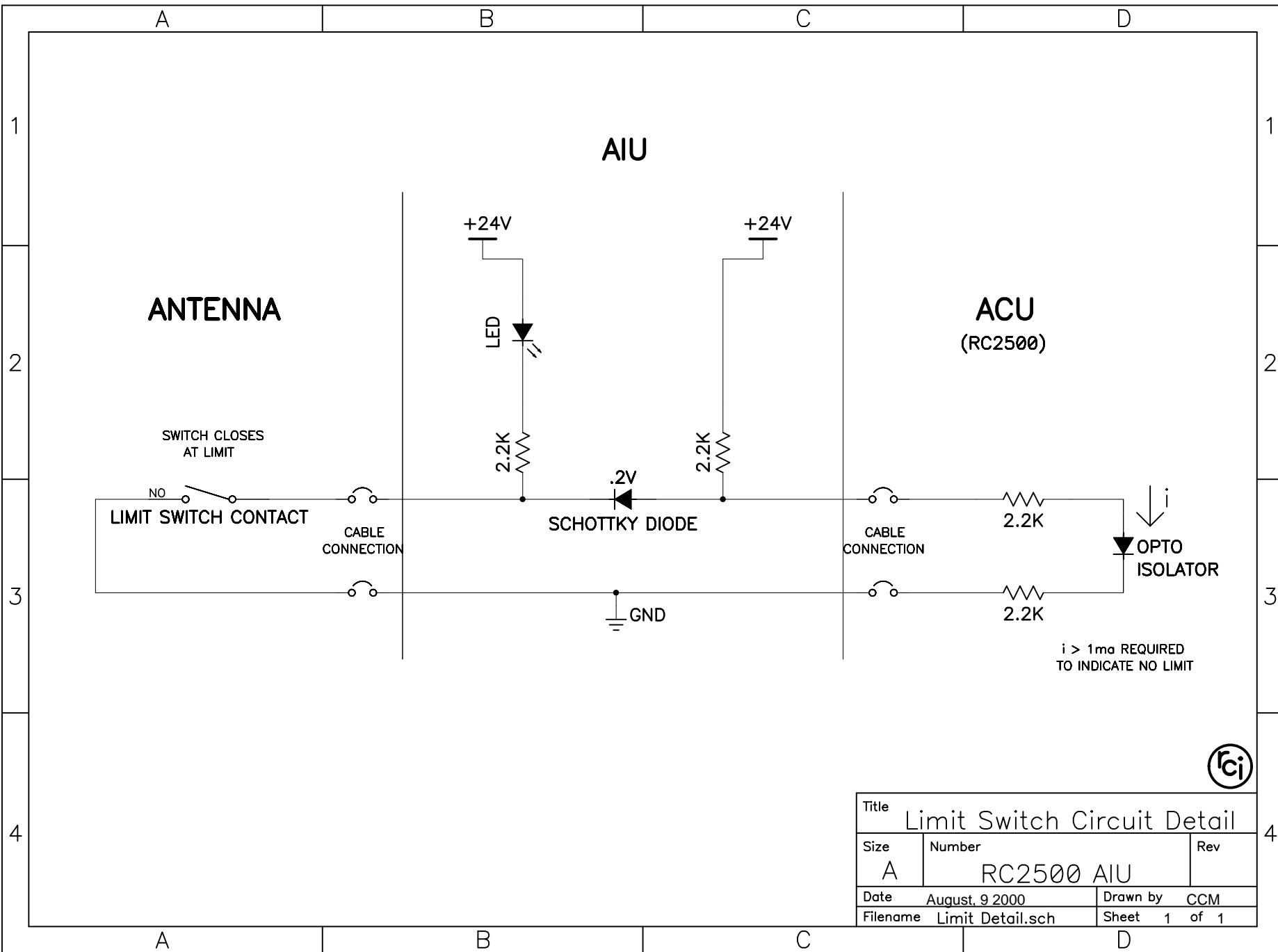
Title		
Switch Board		
Size	Number	Rev
B	RC2500 AIU	
Date	August 10, 2000	Drawn by CCM
Filename	Switch Board.sch	Sheet 1 of 1







Title		
Relay Coils		
Size	Number	Rev
B	RC2500 AIU	
Date	August 7, 2000	Drawn by CCM
Filename	Relay Coils.sch	Sheet 1 of 3



Title			Limit Switch Circuit Detail		
Size	Number			Rev	
A	RC2500 AIU				
Date	August, 9 2000	Drawn by	CCM		
Filename	Limit Detail.sch	Sheet	1 of 1		