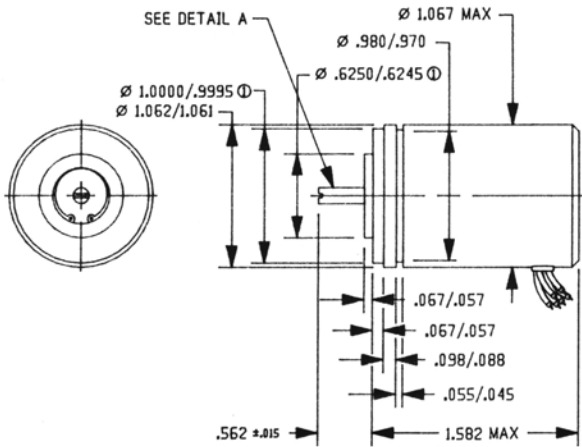
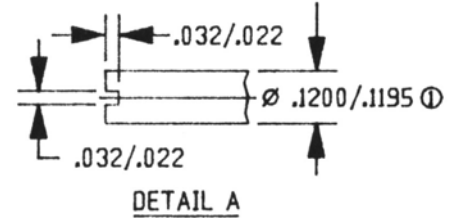
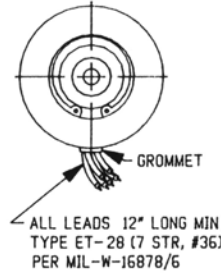


SYNCHRO-BRUSHLESS RESOLVER

CLIFTON PRECISION MODEL # 11-BHW-48F/F662



11-BHW-48F resolver dimensions. NOTE: the 'F662 suffix specifies that the resolver be fitted with a seal & retainer as shown below.



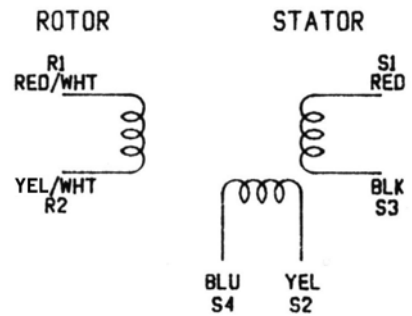
SCHEMATIC

ROTOR AS PRIMARY

Input Voltage	4.4 V. 2500 Hz
Input Current	0.012 AMP
Input Power	0.031 WATT
Impedance Z_{ro}	216 + j294
D.C. Resistance	18.3 OHMS
Output Voltage	2.2 VOLTS $\pm 10\%$
Transformation Ratio	0.500 $\pm 10\%$
Phase Shift	0.92°
Accuracy	$\pm 10'$ MAX
Null Voltage Max.	0.010 VOLT

STATOR AS PRIMARY

Impedance Z_{so} at 90°	93 + j163
D.C. Resistance	6.5 OHMS



Available through:
Research Concepts, Inc.
 5420 Martindale Road
 Shawnee, Kansas 66218-9680 USA
 Phone: (913) 422-0210
 Fax: (913) 422-0211
 sales@researchconcepts.com
 www.researchconcepts.com

NORMAL CHARACTERISTICS

Accuracy	$\pm 0^\circ 7'$ MAX
Operating Temp.	-55°C to +125°C
Weight Max.	4.5 oz.
Housing Material	Stainless Steel

HIPOT

Windings to Ground	550 VOLTS, 60 Hz
Between Windings	250 VOLTS, 60 Hz

11-BHW-48F/F662 (includes retainer & seal)

SHAFT SEALED AS SHOWN:

