

A

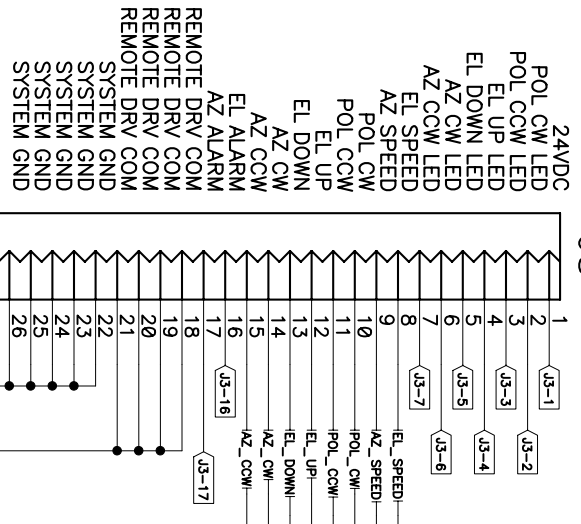
B

C

D

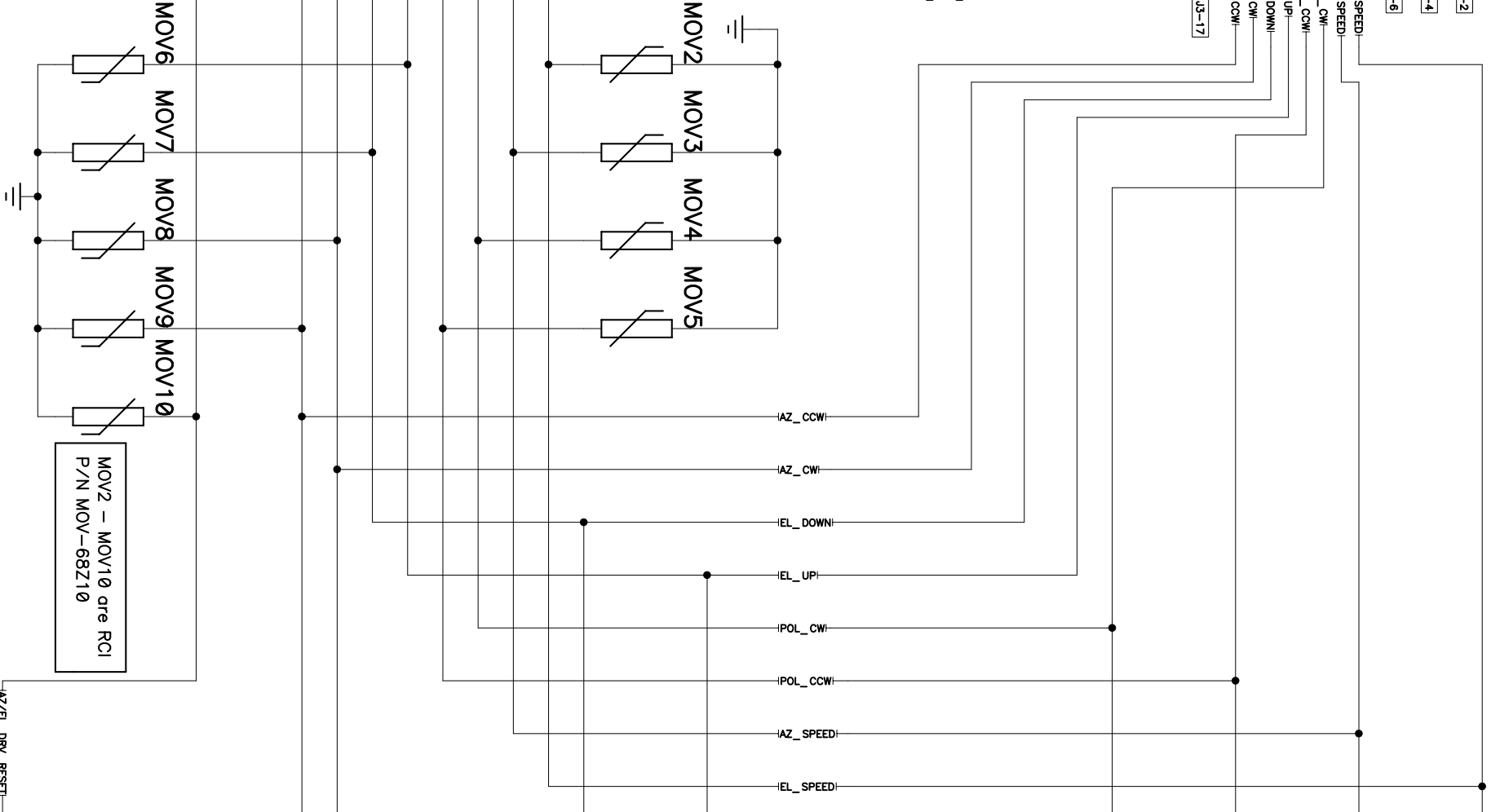
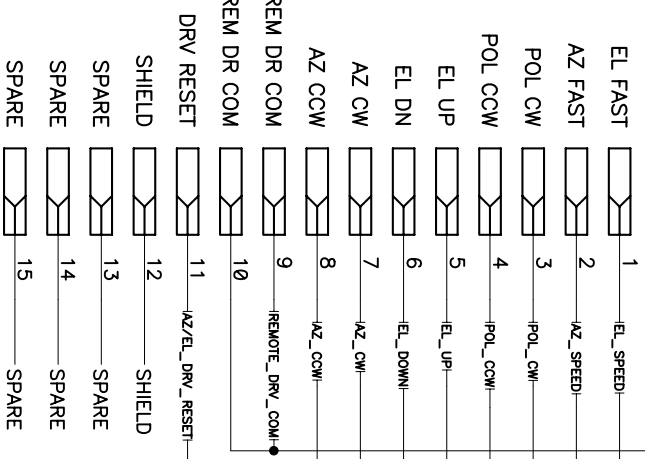
TO JOG PANEL

RIBBON CONN

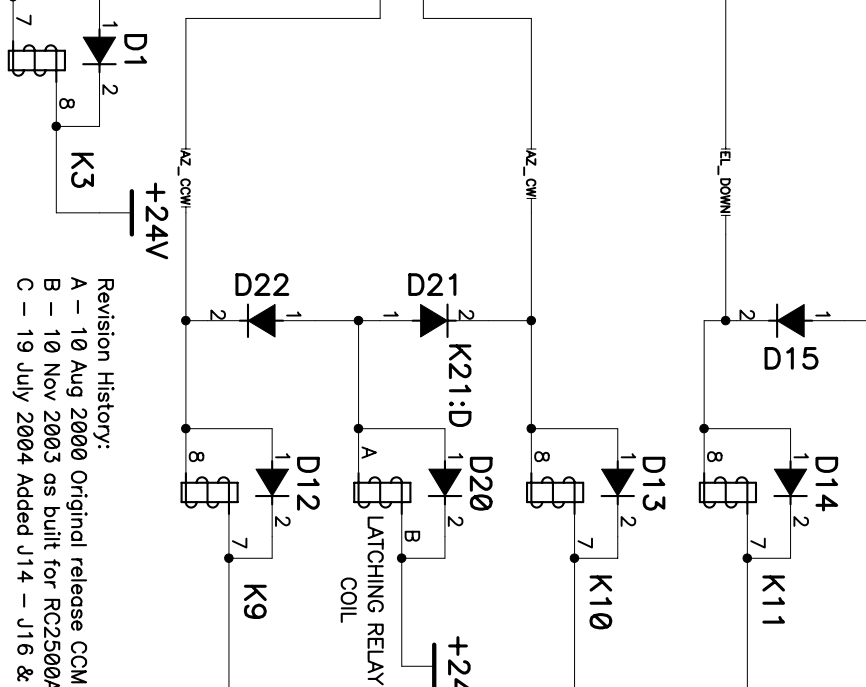
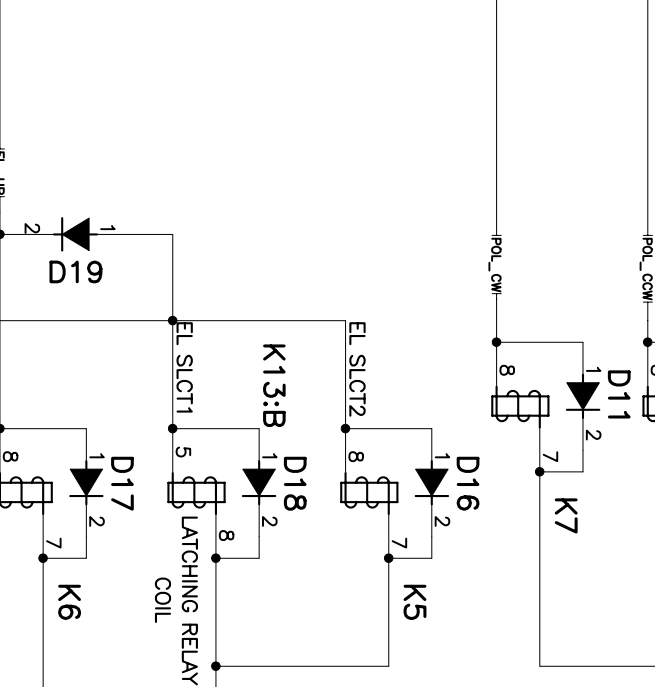
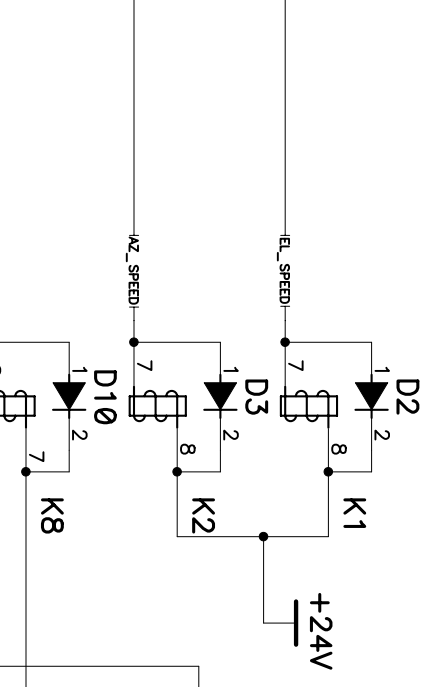


ACU COM

J4



MOV2 - MOV10 are RCI P/N MOV-68Z10



Revision History:
 A - 10 Aug 2000 Original release CCM
 B - 10 Nov 2003 as built for RC2500A1U-3revA JFR
 C - 19 July 2004 Added J14 - J16 & MOV1 - MOV22 JDK

Title		RC2500 A1U Main Board	
Size		Number	
B		B-2-5KINTRY-2	
Date	19 July 2004	Drawn by	JFR/JDK
Filename	RC2_5KPCB_REV.C	Sheet	1 of 3



A

B

C

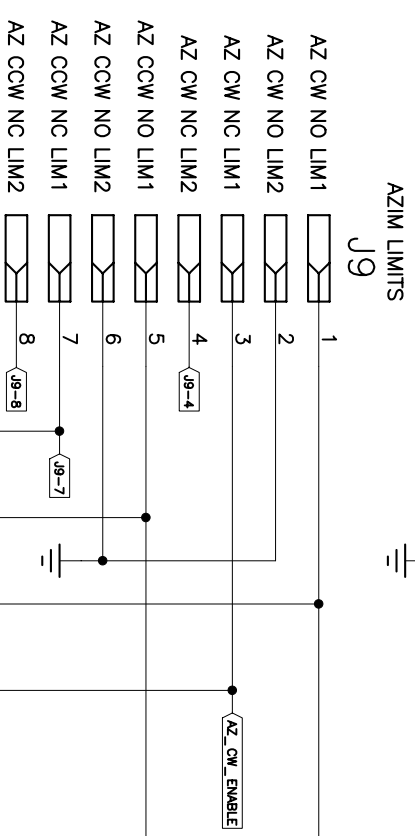
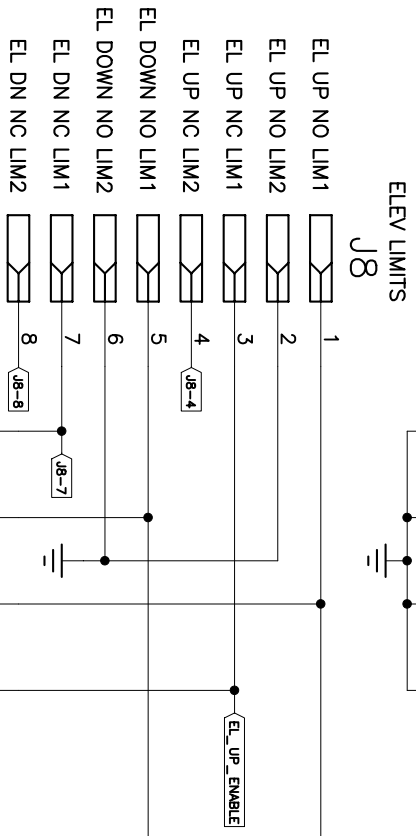
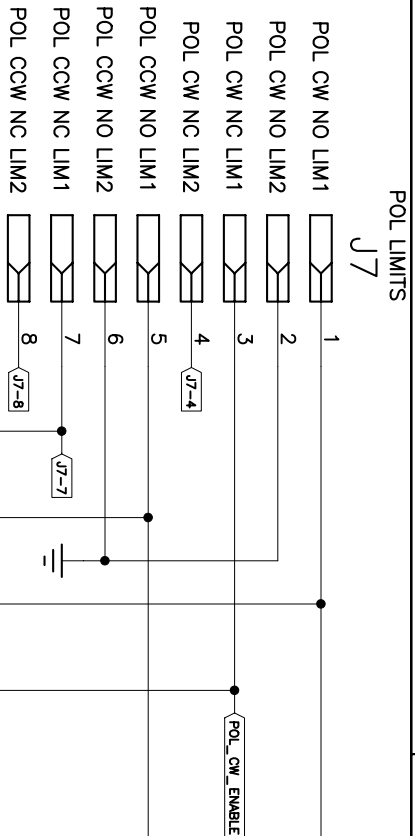
D

4

3

2

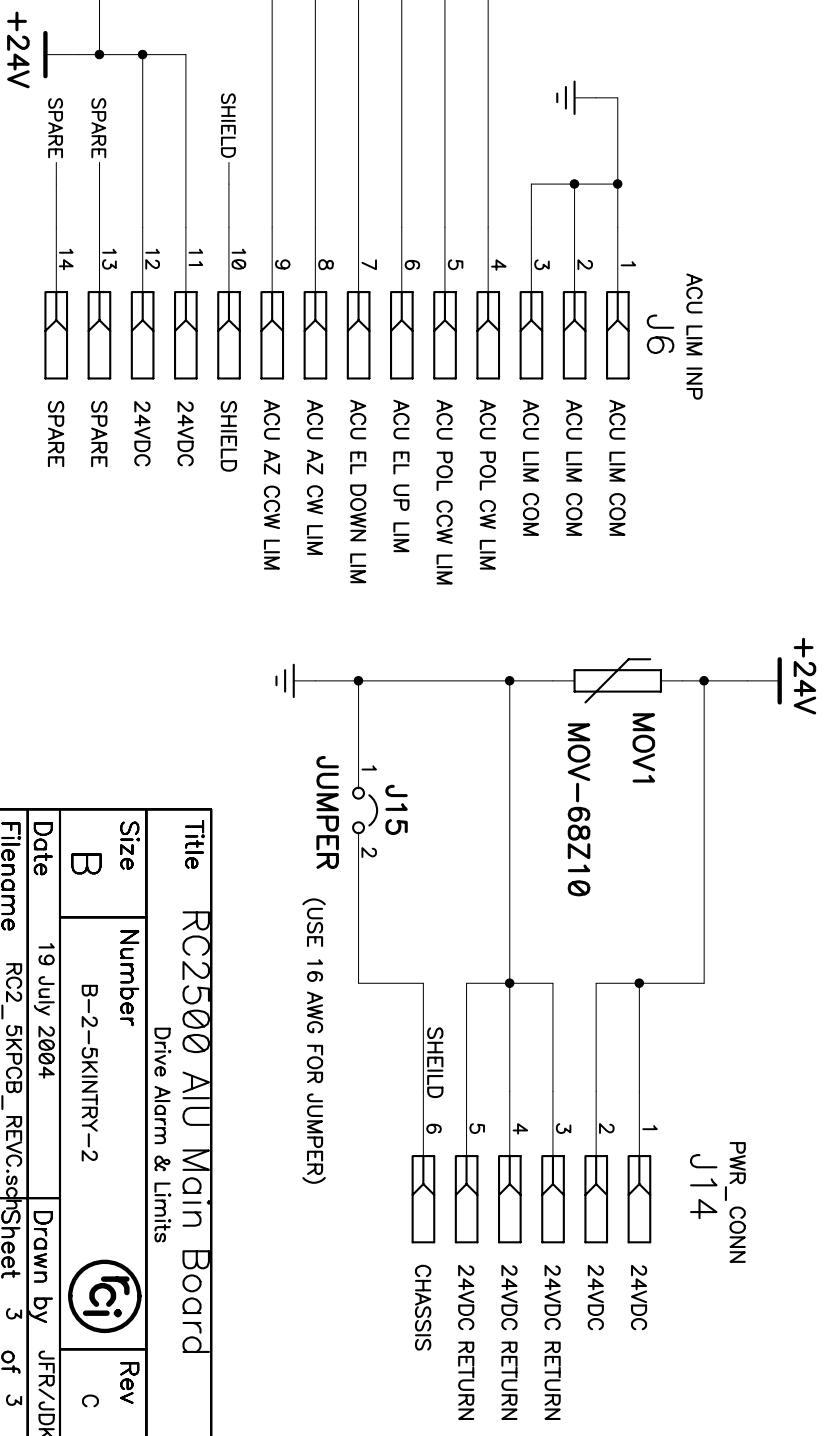
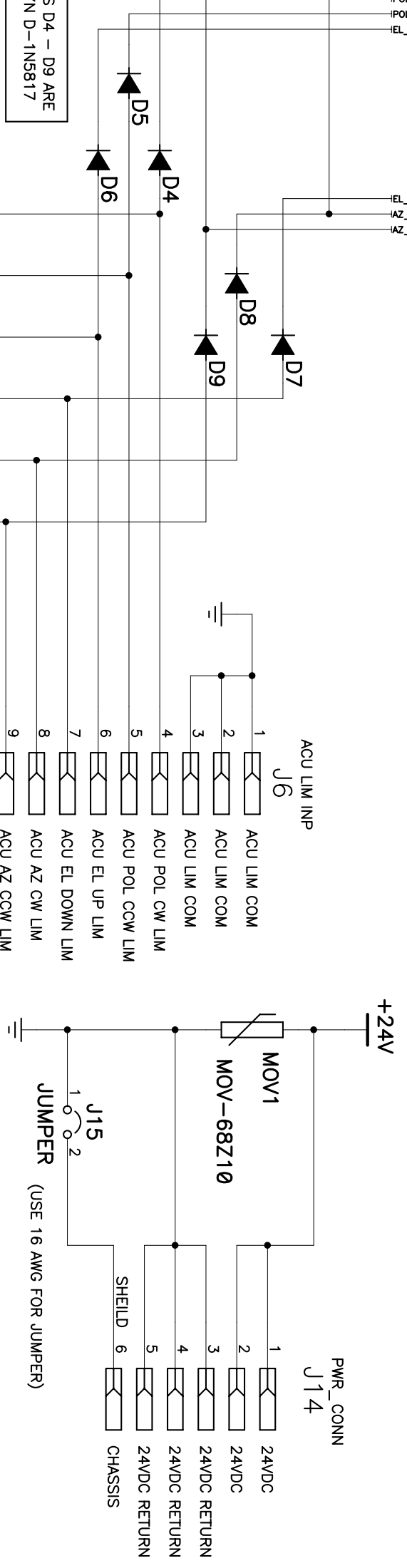
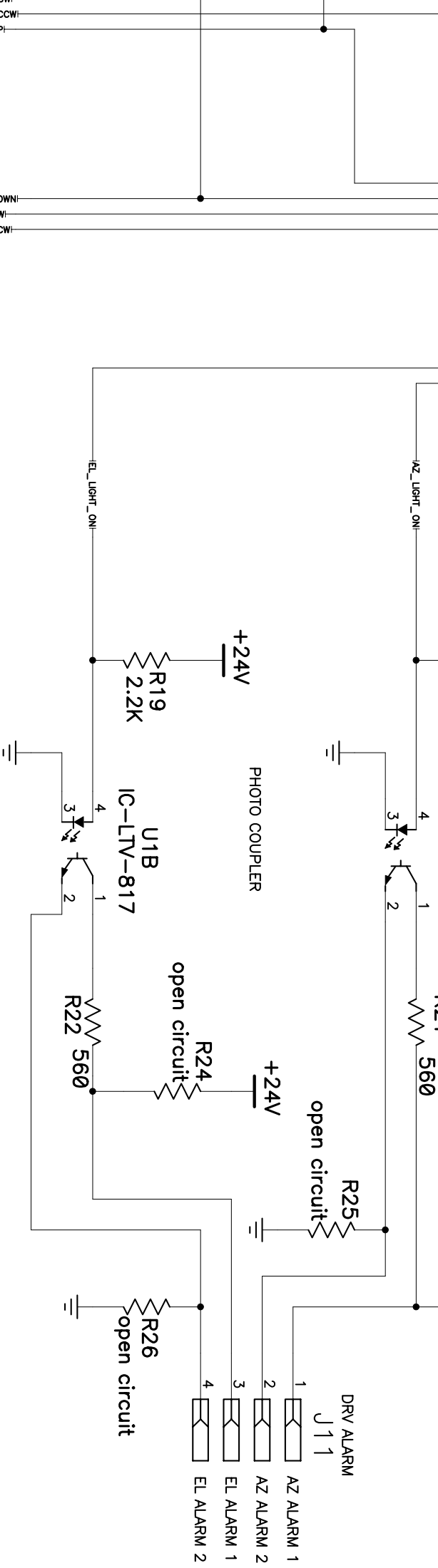
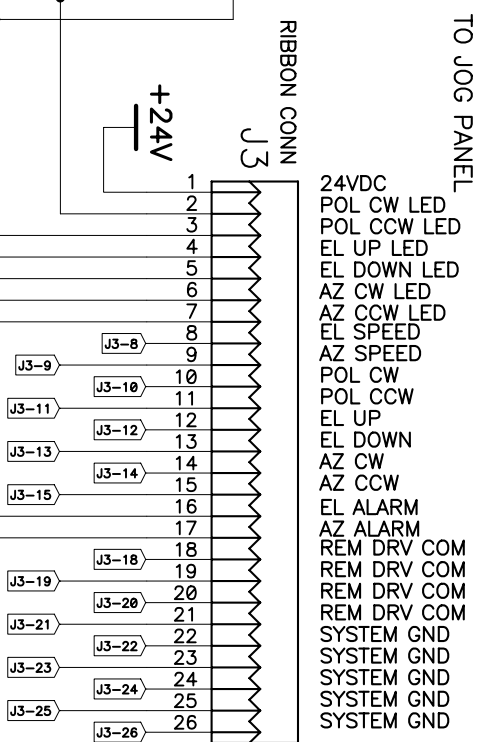
1



MOV11 - MOV22 ARE RCI
P/N MOV-68Z10

A

A

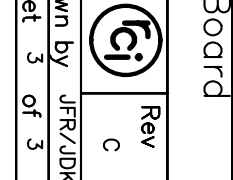


MOV1 - MOV22 ARE RCI
P/N MOV-68Z10

B

B

Title		RC2500 AIU Main Board	
Size		B	
Number		B-2-5KINTRY-2	
Date	19 July 2004	Drawn by	JFR/JDK
Filename	RC2_5KPCB_REV/C.sch	Sheet	3 of 3



C

C

Rev C

D

Drive Alarm & Limits

D